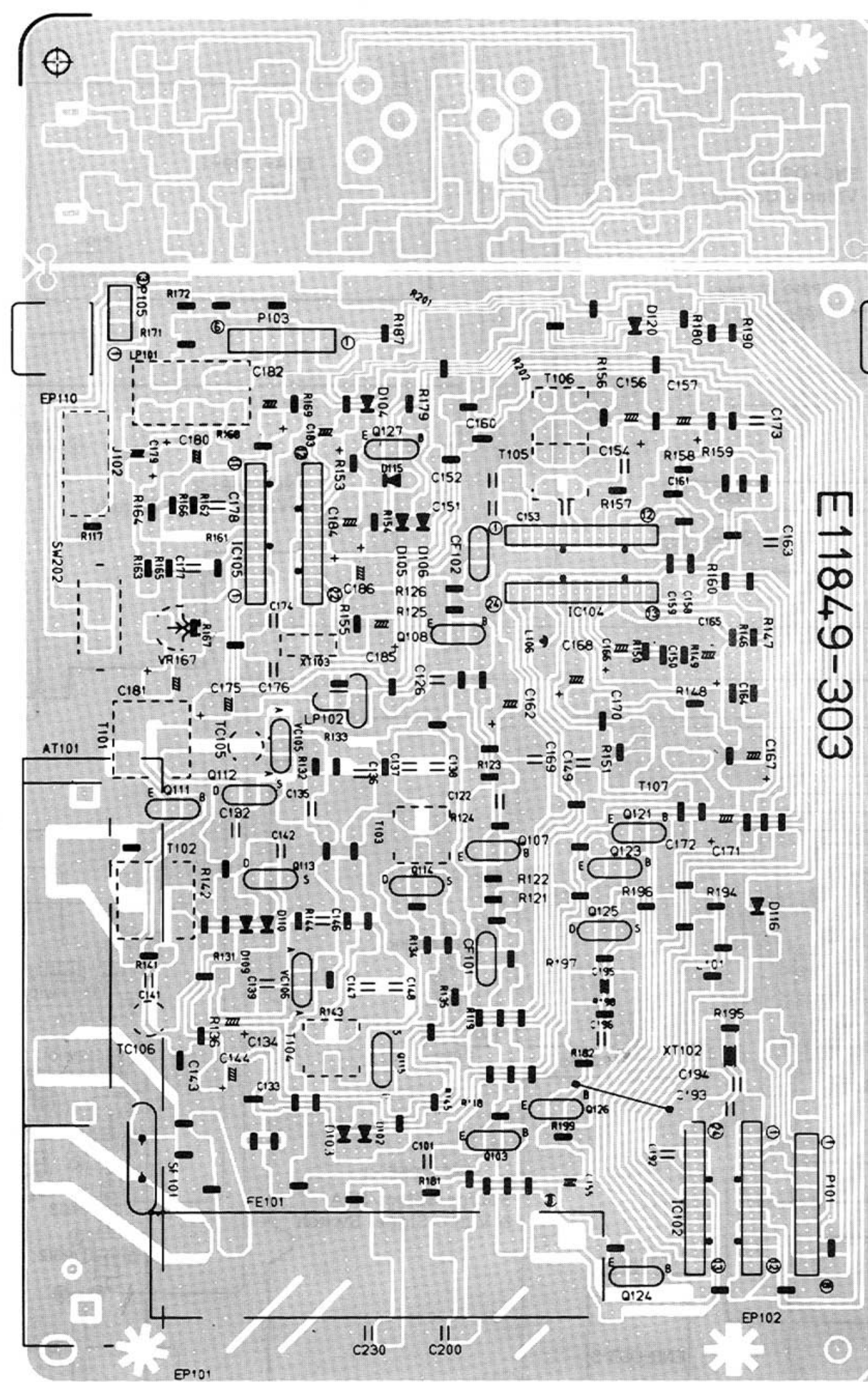
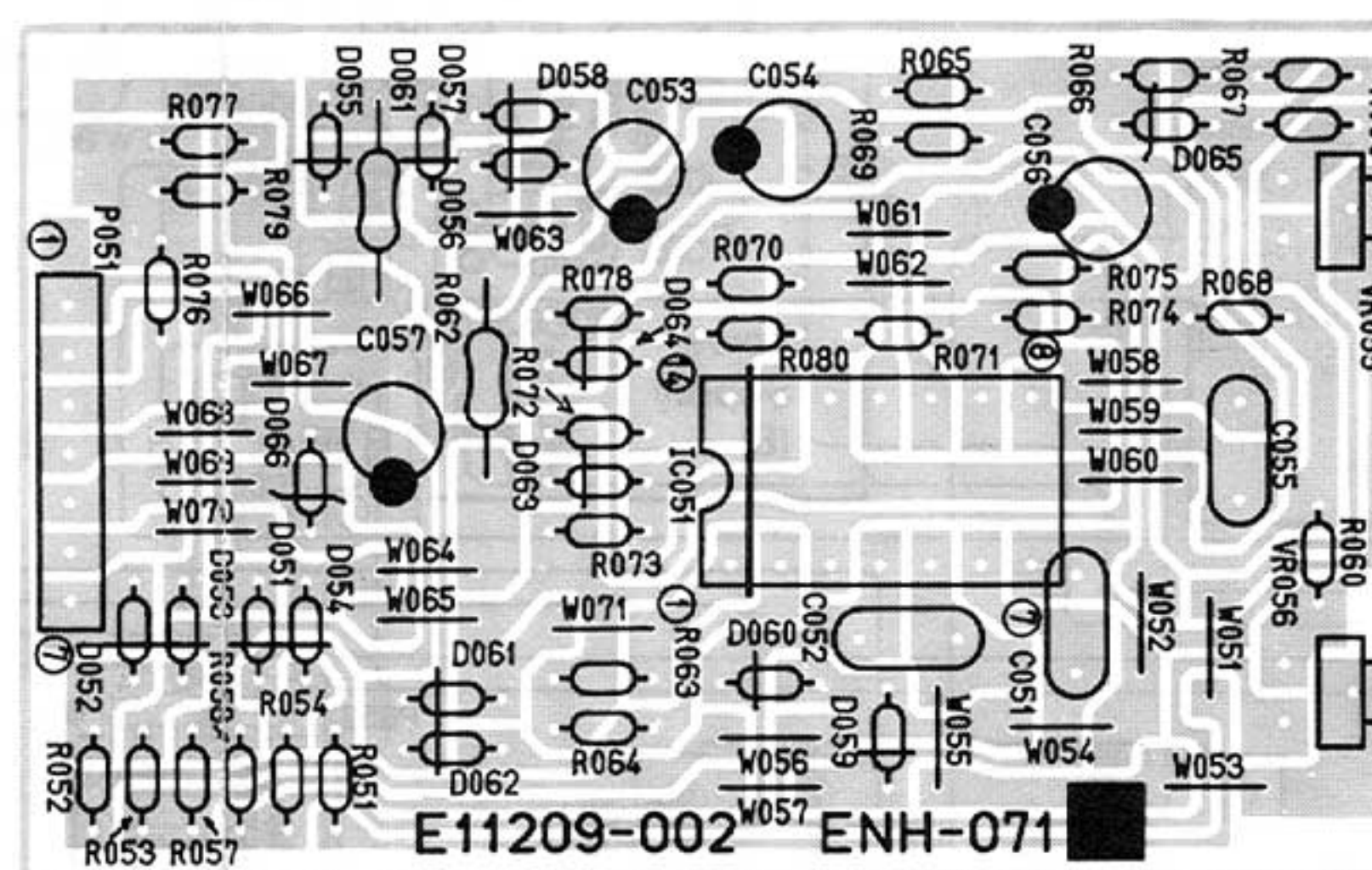


Printed Circuit Boards (1)

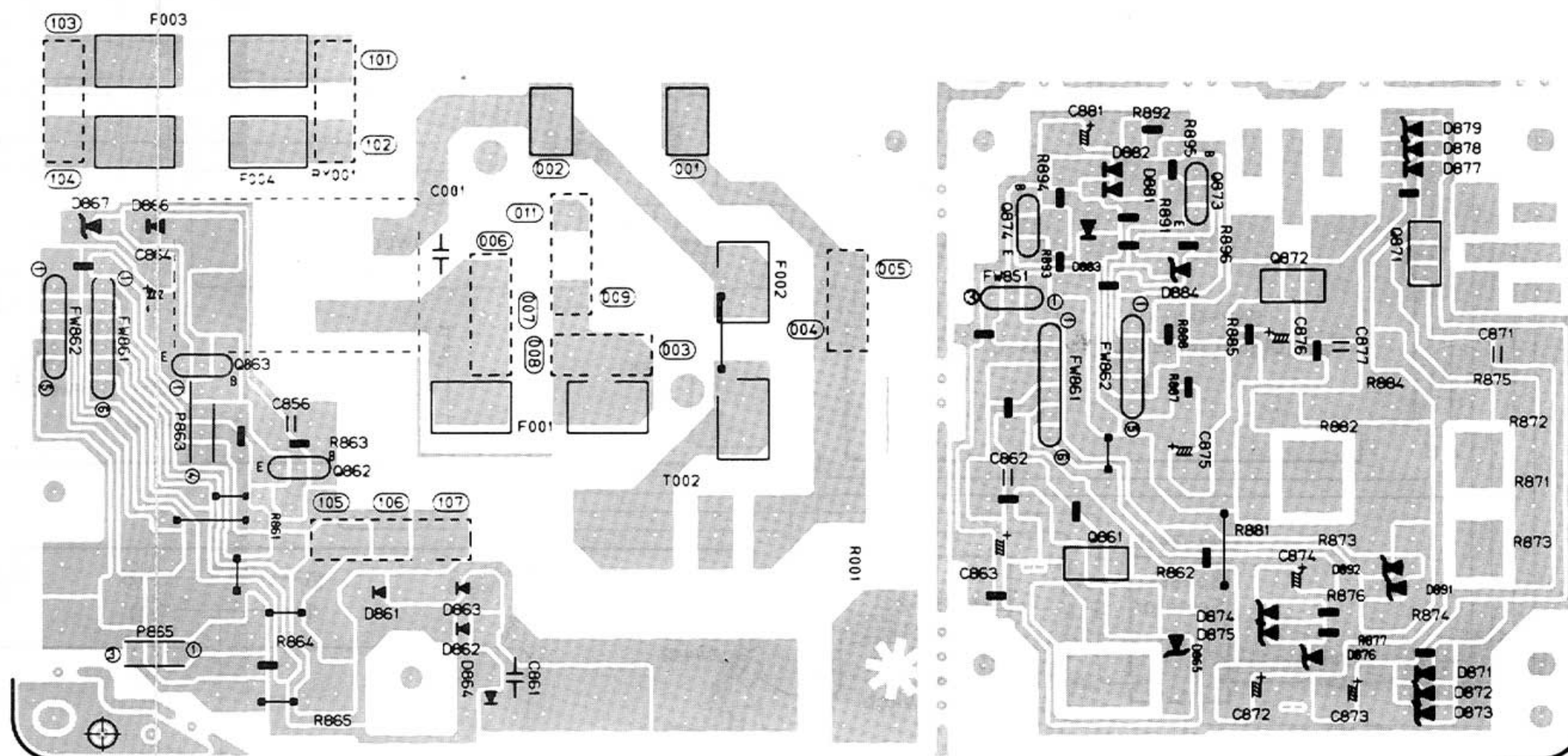
■ Tuner-PC Board (ENA-089)



■ Impedance Unit PC Board (ENH-071)

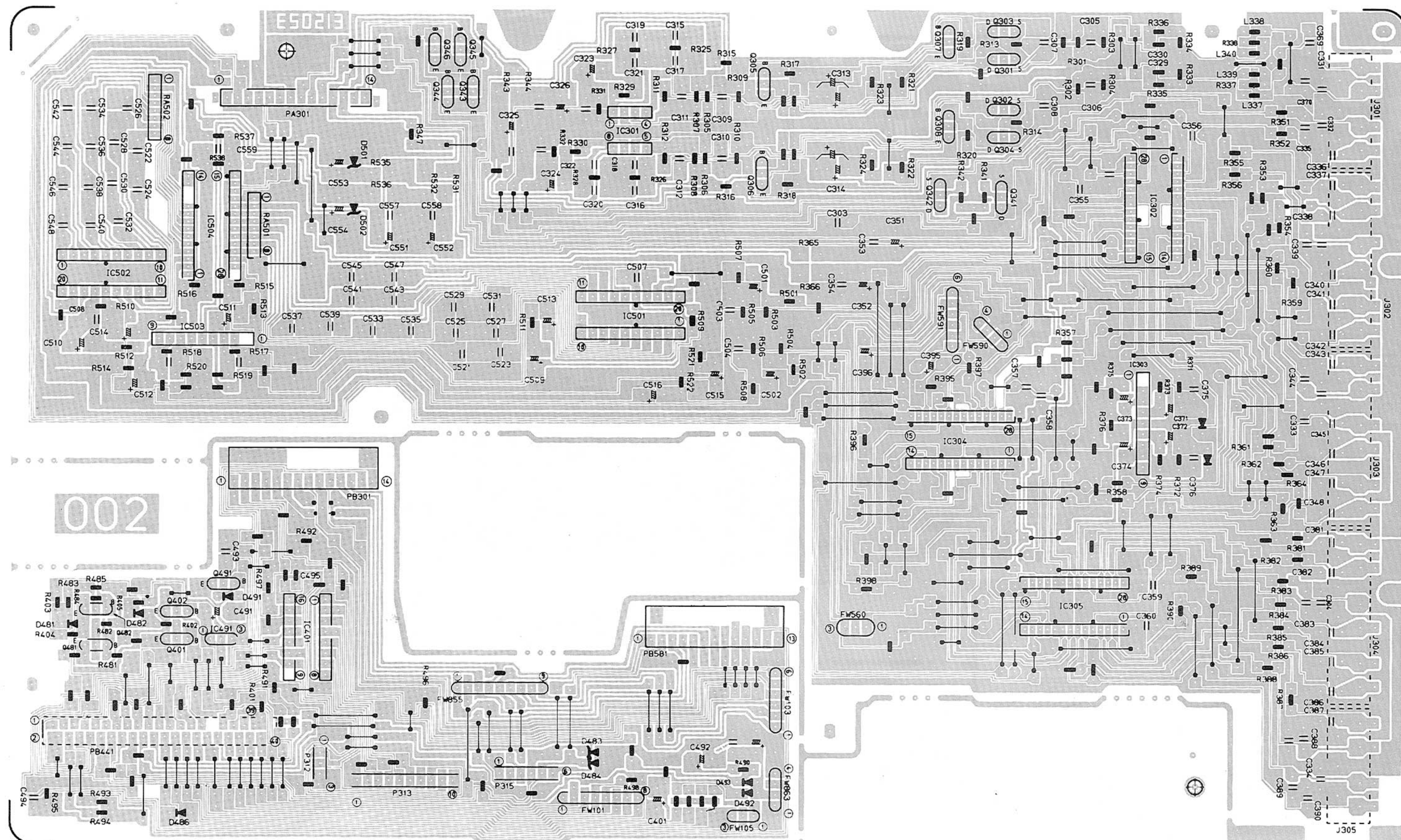


■ Power Supply PC Board (END-057)



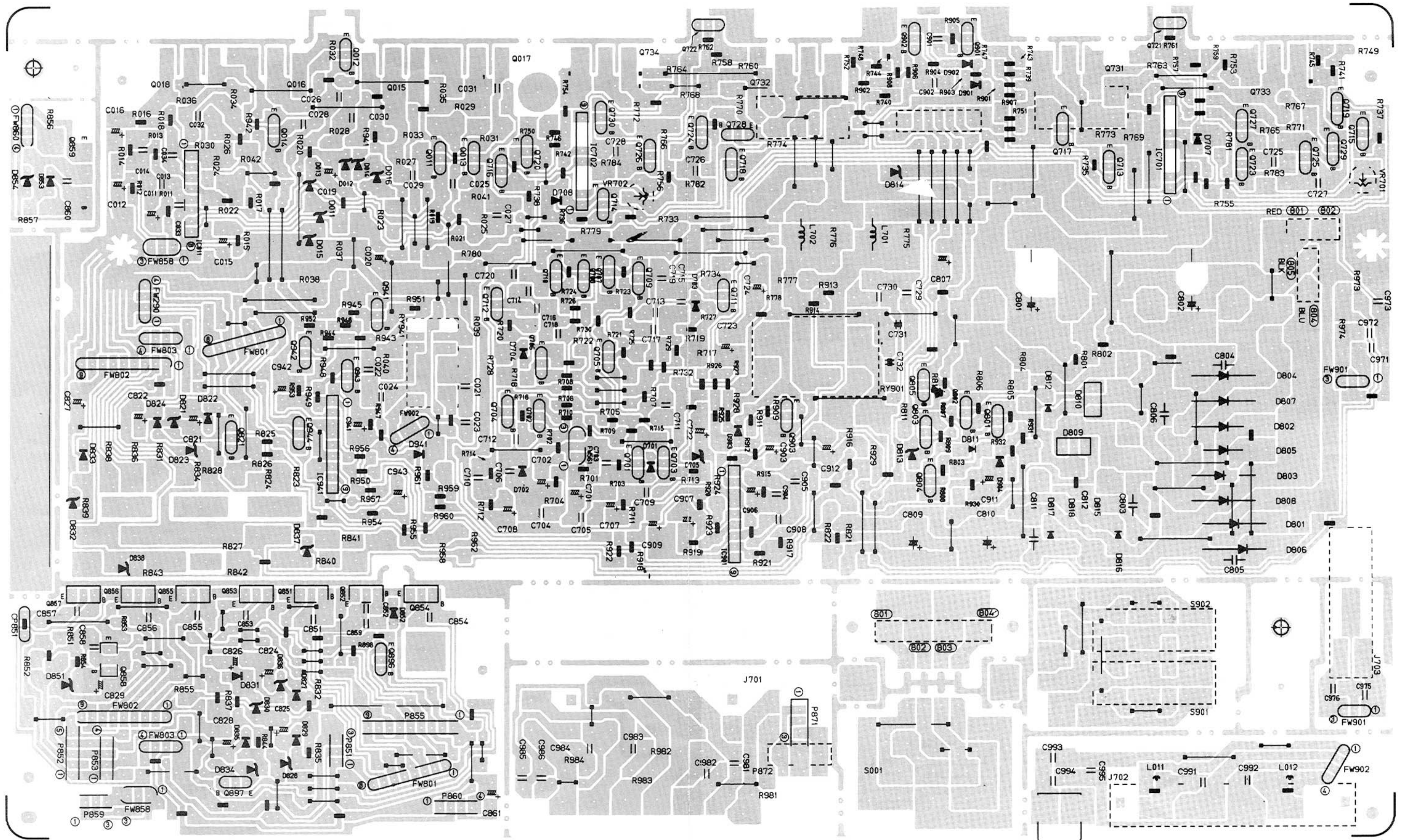
Printed Circuit Boards (2)

■ Source Selector & SEA PC Board (ENF-055)



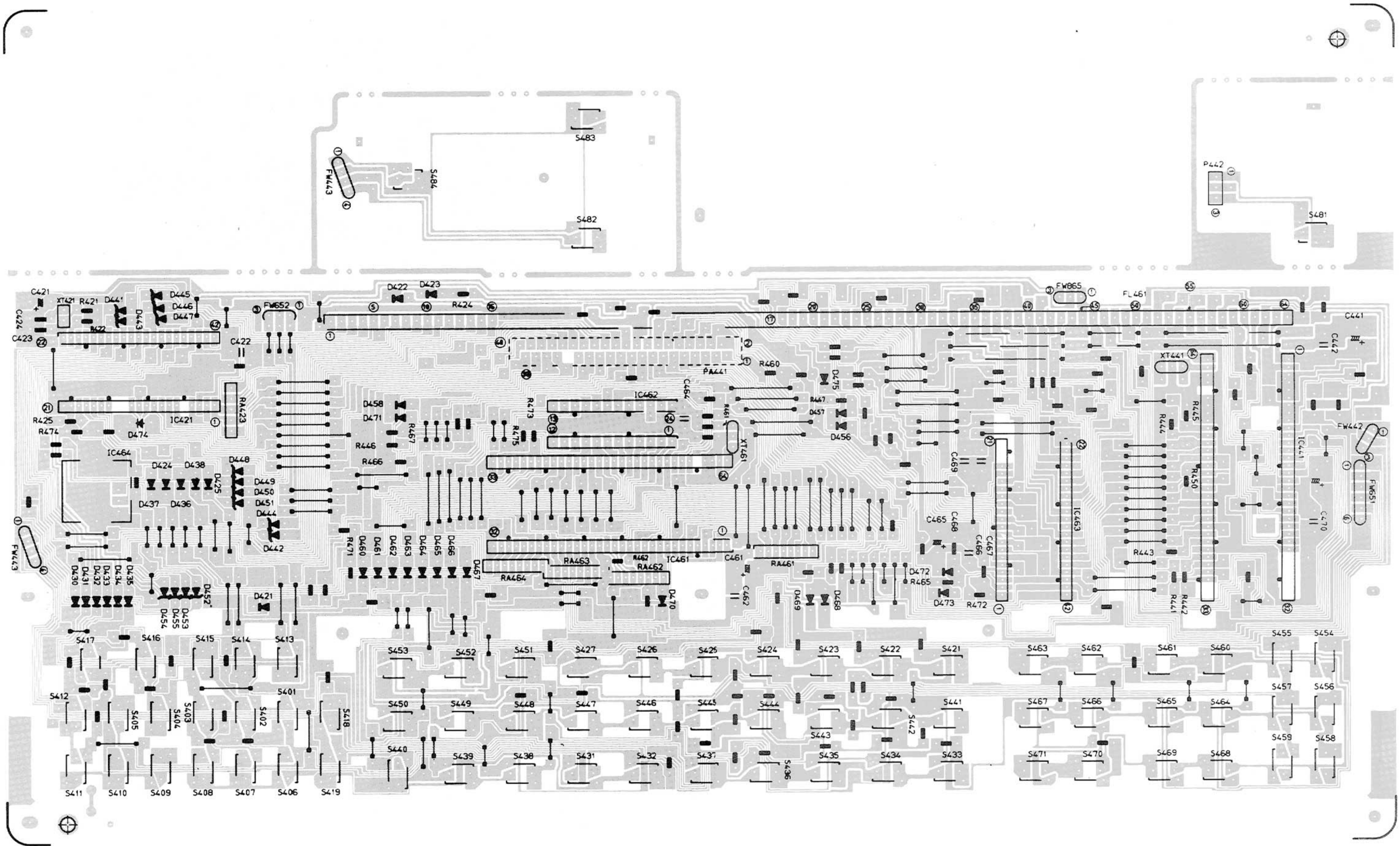
Printed Circuit Boards (3)

■ Power Amplifier PC Board (ENH-134)



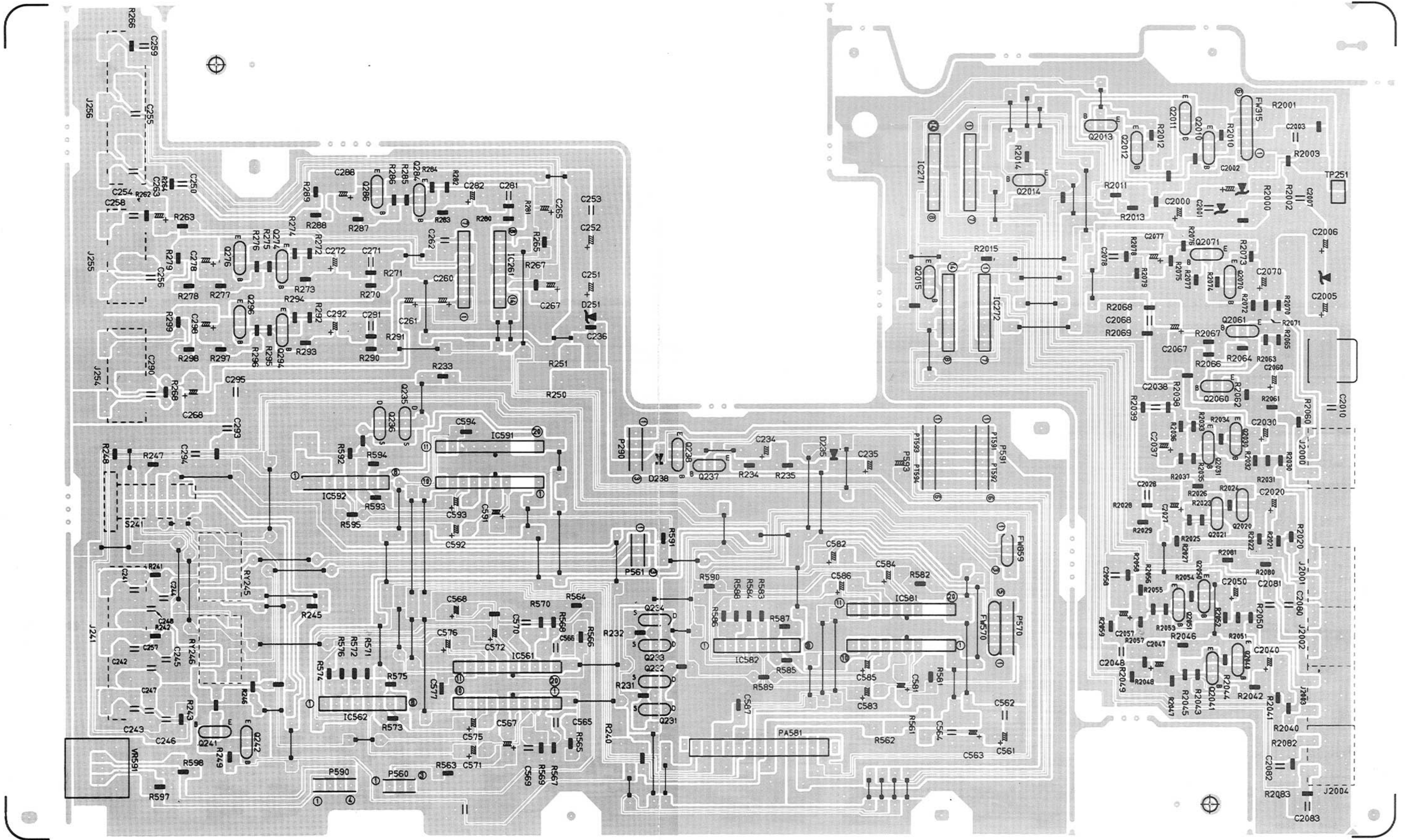
Printed Circuit Boards (4)

■ Display & Control PC Board (ENB-093)



Printed Circuit Boards (5)

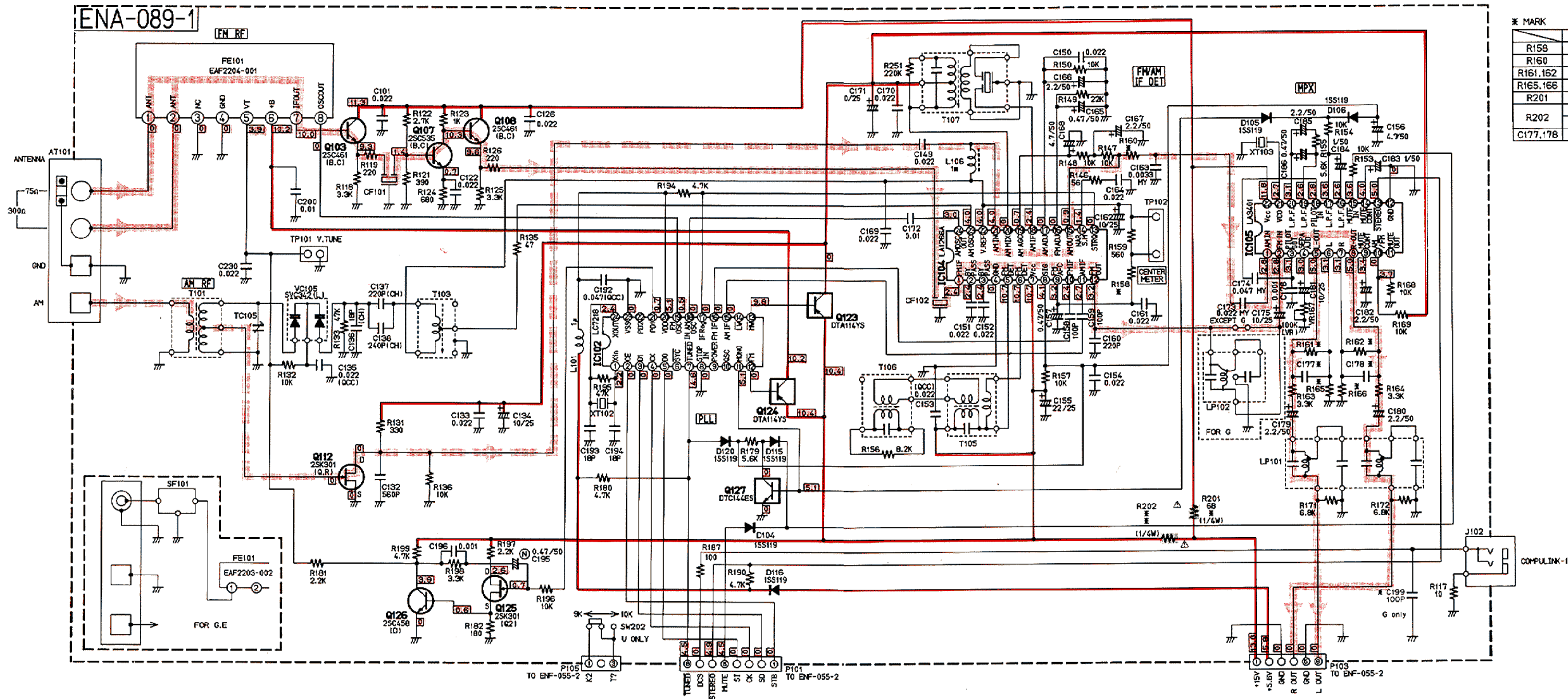
■ Video Signal & Volume Control PC Board (ENC-068)



Schematic Diagrams (1)

Tuner Section

RX-1010VTN/RX-901VBK



* MARK

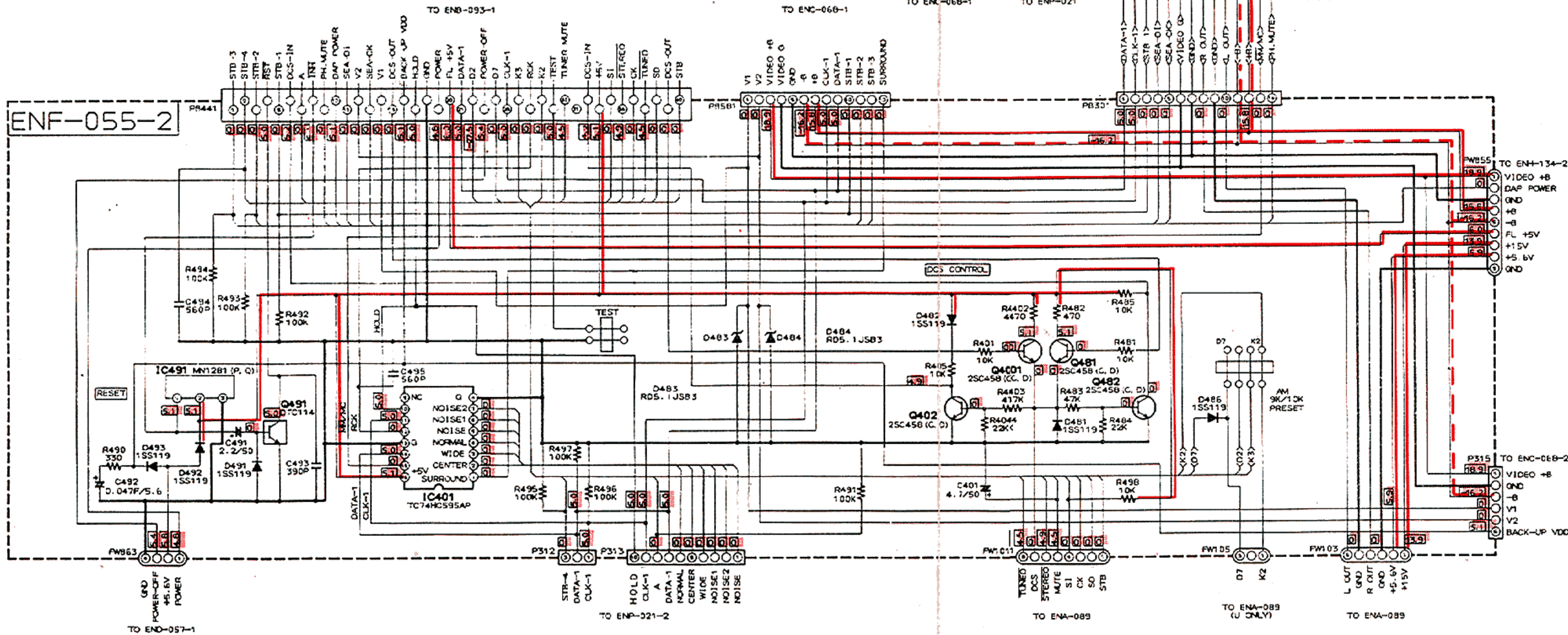
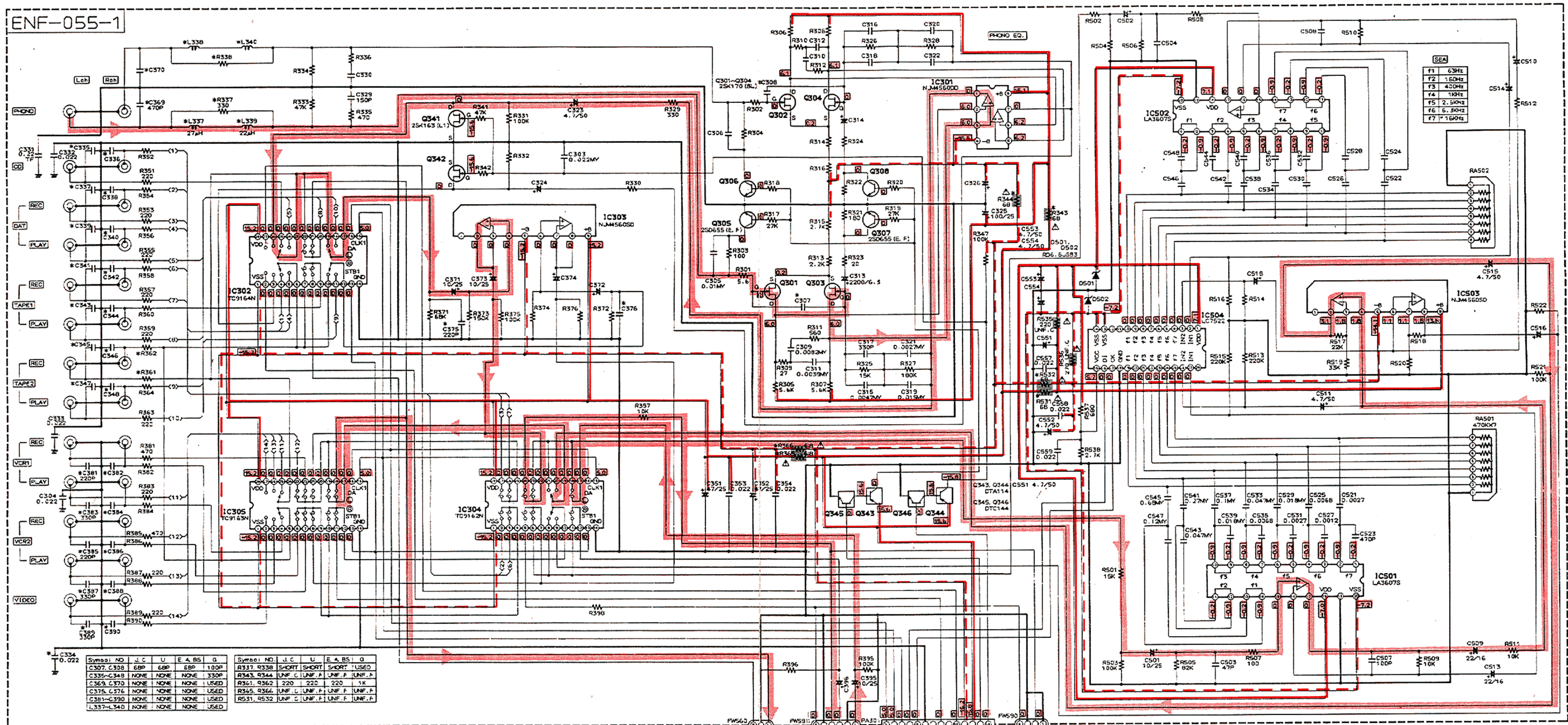
	J.C	U	A.E.BS	G
R158	18K	27K	27K	27K
R160	12K	12K	27K	27K
R161,162	120K	120K	180K	180K
R165,166	180K	180K	270K	270K
R201	UNF.C.	UNF.C.	UNF.F.	UNF.F.
R202	47	47	47	22
	UNF.C.	UNF.C.	UNF.F.	UNF.F.
C177,178	560P	560P	270P	270P

Notes:

1. — indicates + B power supply.
2. - - - indicates - B power supply.
3. ■■■ indicates signal path.
4. ■■■ shows DC voltage to the chassis with no signal input.
5. When replacing the parts in the darkened area (■■■) and those marked with ⚠, be sure use to designated parts to ensure safety.
6. This is the standard circuit diagram.
The design and contents are subject to change without notice.

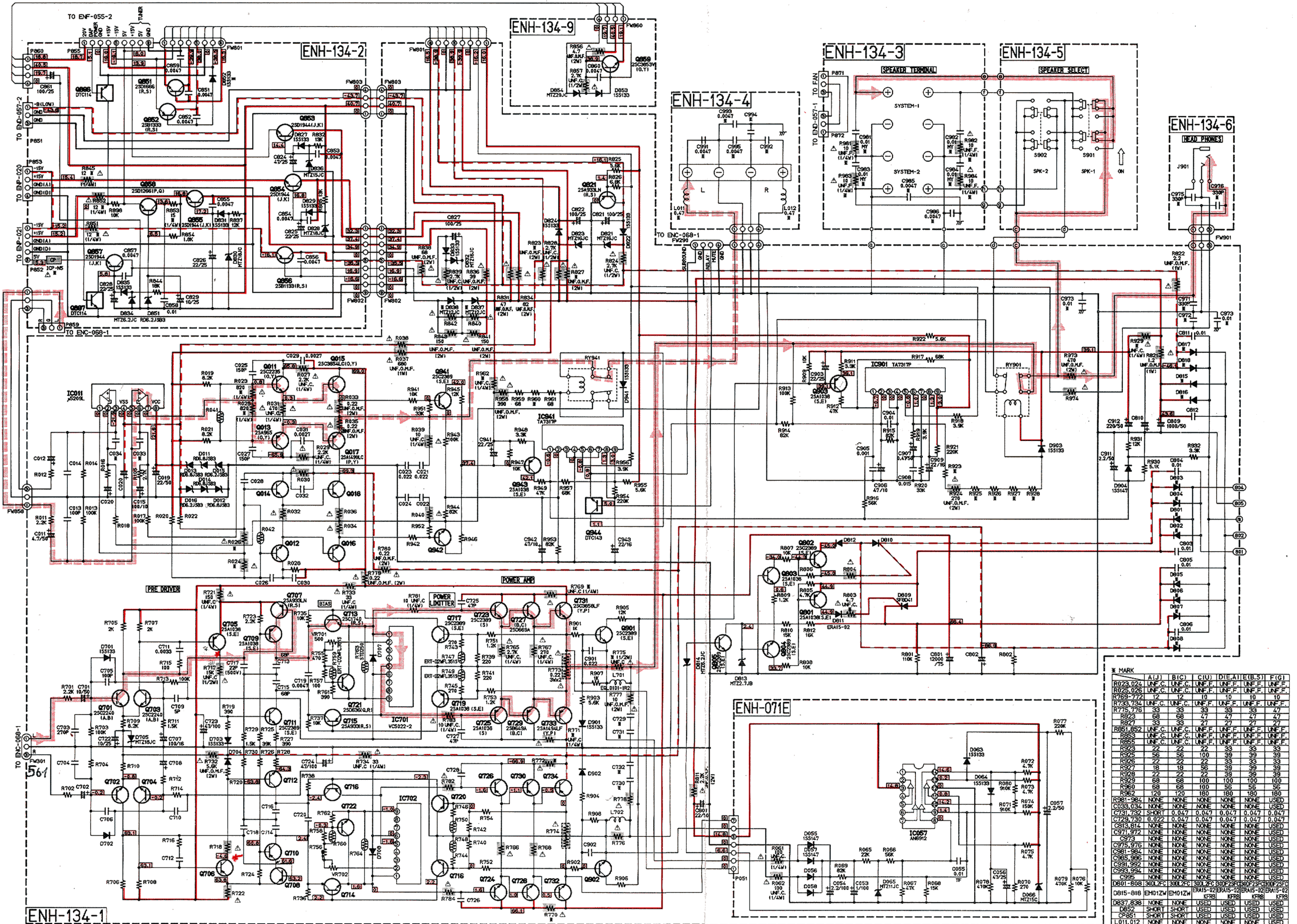
Schematic Diagrams (2)

■ Source Selector & SEA Section



Schematic Diagrams (3)

Power-Amplifier Section

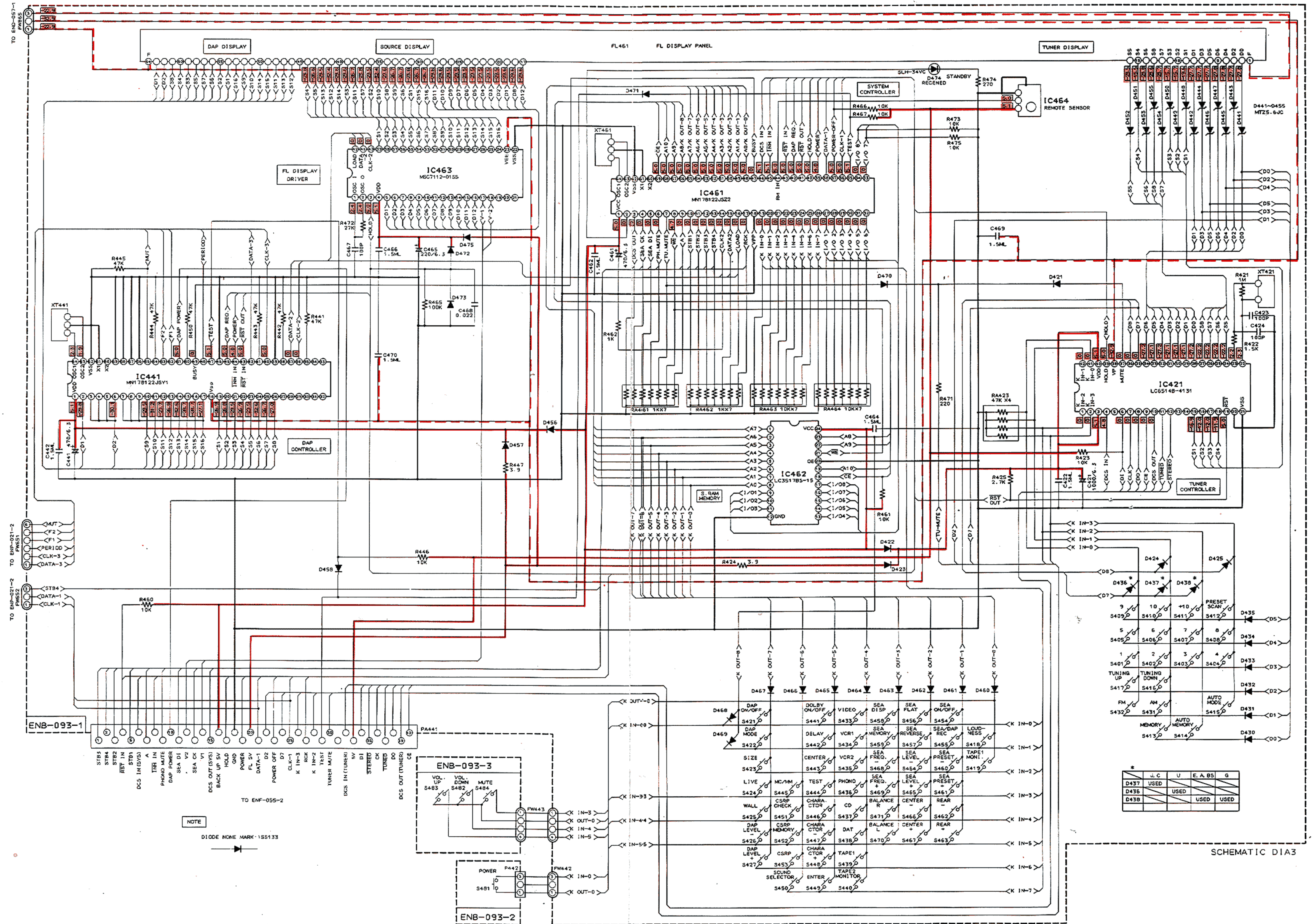


* +50V source shown on all spg. → D705 substitute

MARK	A(J)	B(C)	C(U)	D(E)	A(E)	B(S)	F(G)
R023,024	UNF.C	UNF.C	UNF.F	UNF.F	UNF.F	UNF.F	UNF.F
R025,026	UNF.C	UNF.C	UNF.F	UNF.F	UNF.F	UNF.F	UNF.F
R769-772	12	12	10	10	10	10	10
R733,734	UNF.C	UNF.C	UNF.F	UNF.F	UNF.F	UNF.F	UNF.F
R775,776	33	33	33	33	33	33	47
R823	56	56	47	47	47	47	47
R827	33	33	27	27	27	27	27
R851,852	UNF.C	UNF.C	UNF.F	UNF.F	UNF.F	UNF.F	UNF.F
R853	UNF.C	UNF.C	UNF.F	UNF.F	UNF.F	UNF.F	UNF.F
R855	UNF.C	UNF.C	UNF.F	UNF.F	UNF.F	UNF.F	UNF.F
R857	UNF.C	UNF.C	UNF.F	UNF.F	UNF.F	UNF.F	UNF.F
R859	56	56	100	33	33	33	33
R862	22	22	22	33	33	33	33
R864	100	100	100	100	100	100	100
R866	56	56	100	56	56	56	56
R868	120	120	180	180	180	180	180
R871-884	NONE	NONE	NONE	NONE	NONE	NONE	USED
C033,034	NONE	NONE	NONE	NONE	NONE	NONE	USED
C731,732	SHORT	0.047	0.047	0.047	0.047	0.047	0.047
C729,730	0.022	0.047	0.047	0.047	0.047	0.047	0.047
C813,814	NONE	NONE	NONE	NONE	NONE	NONE	USED
C971,972	NONE	NONE	NONE	NONE	NONE	NONE	USED
C973	NONE	NONE	NONE	NONE	NONE	NONE	USED
C975,976	NONE	NONE	NONE	NONE	NONE	NONE	USED
C981-984	NONE	NONE	NONE	NONE	NONE	NONE	USED
C985,986	NONE	NONE	NONE	NONE	NONE	NONE	USED
C989,992	NONE	NONE	NONE	NONE	NONE	NONE	USED
C993,994	NONE	NONE	NONE	NONE	NONE	NONE	USED
C995	NONE	NONE	NONE	NONE	NONE	NONE	USED
D801-808	300L7C	300L7C	300L7C	300L7C	300L7C	300L7C	300L7C
D815-818	EM012W	EM012W	EM012W	EM012W	EM012W	EM012W	EM012W
D837,838	NONE	NONE	USED	USED	USED	USED	USED
D852	SHORT	SHORT	USED	USED	USED	USED	USED
CP851	SHORT	SHORT	USED	USED	USED	USED	USED
L011,012	NONE	NONE	NONE	NONE	NONE	NONE	USED

Schematic Diagrams (4)

Display & Control Section

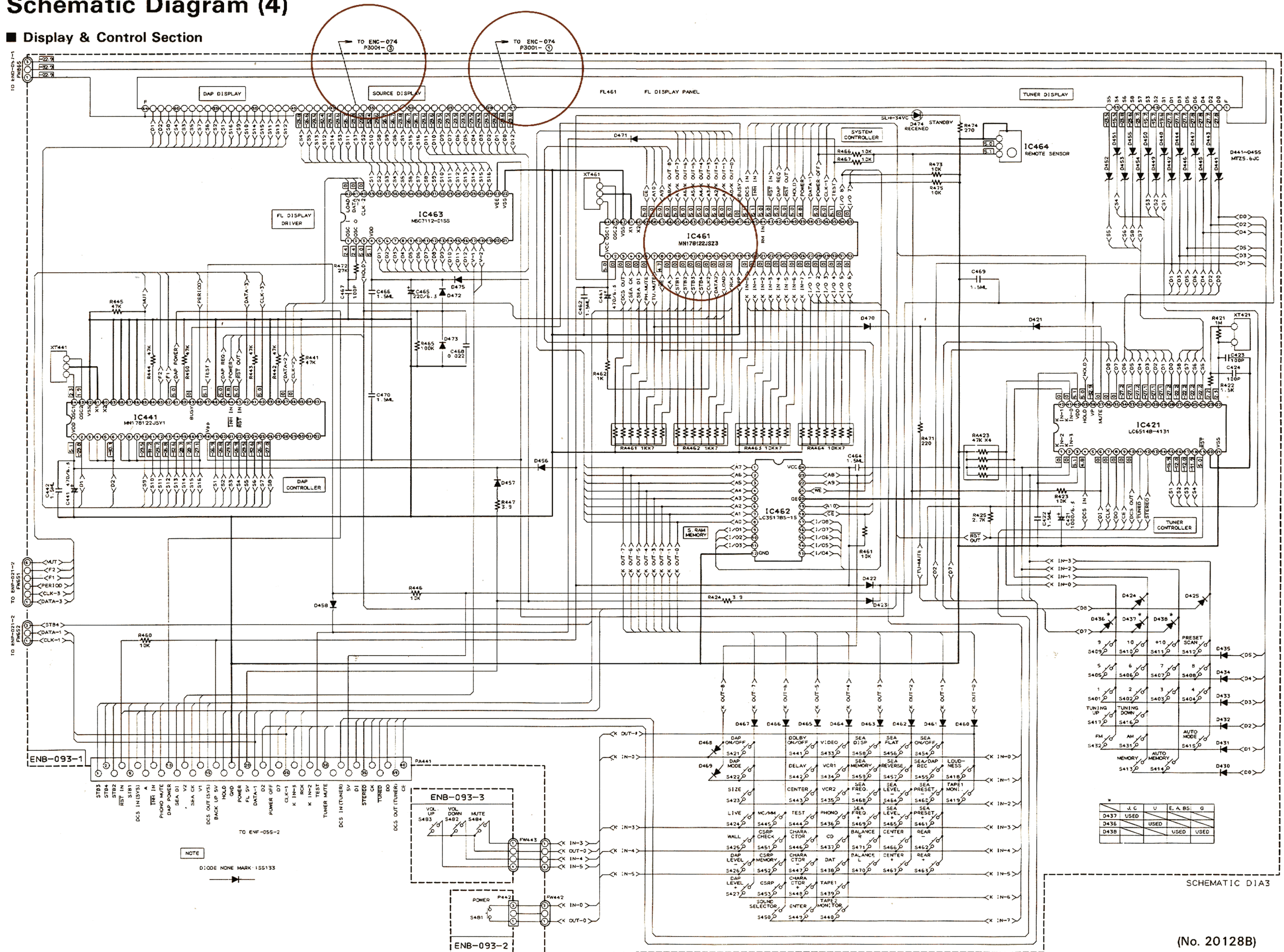


	U. C	U	E. A. B5	G
D437	USED			
D438		USED		
D439			USED	USED

(No. 20128) (No. 20128)

Schematic Diagram (4)

Display & Control Section

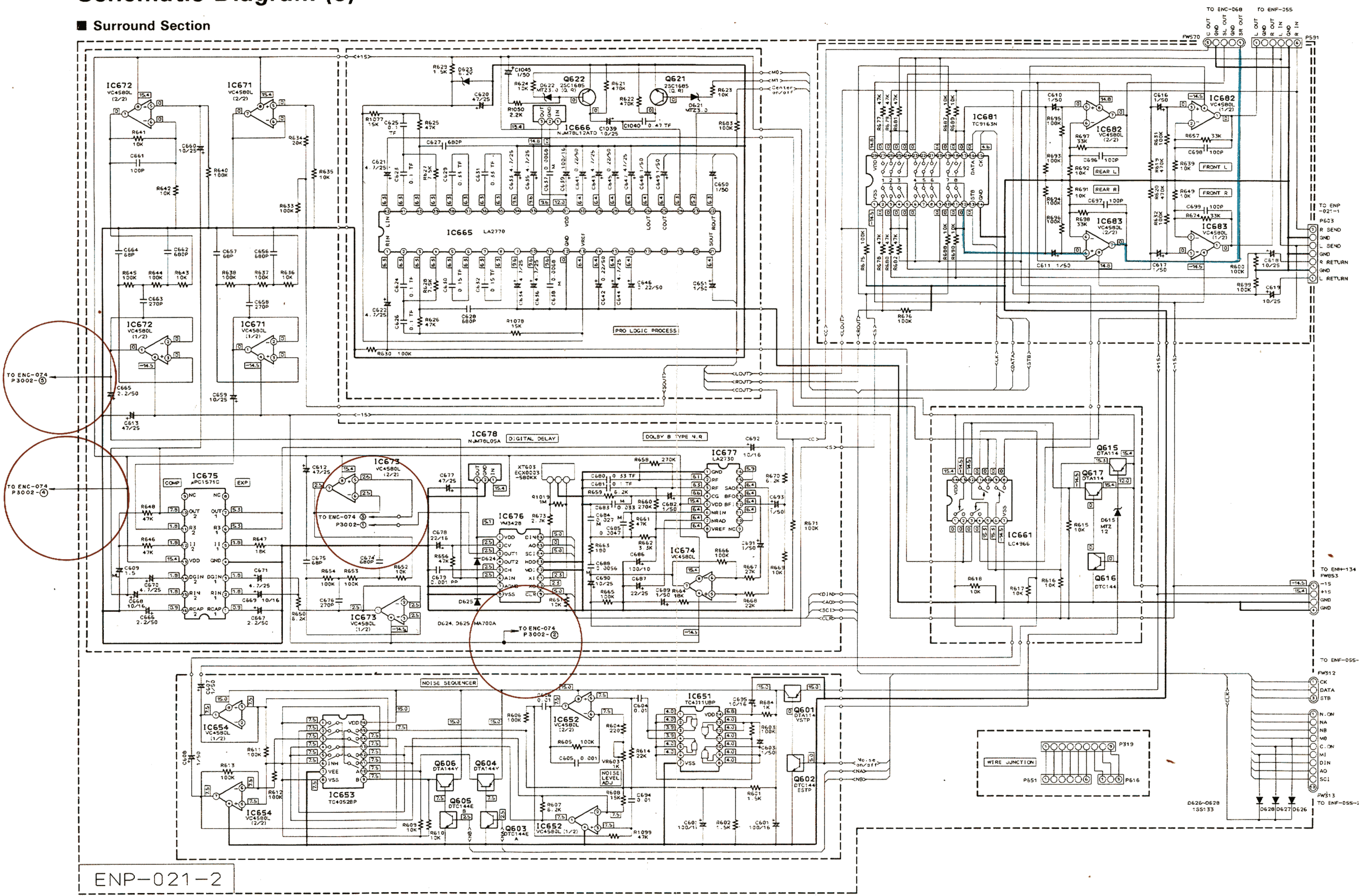


	J.C	U	E, A, BS	G
D437	USED			
D436		USED		
D438			USED	USED

SCHEMATIC DIA3

Schematic Diagram (6)

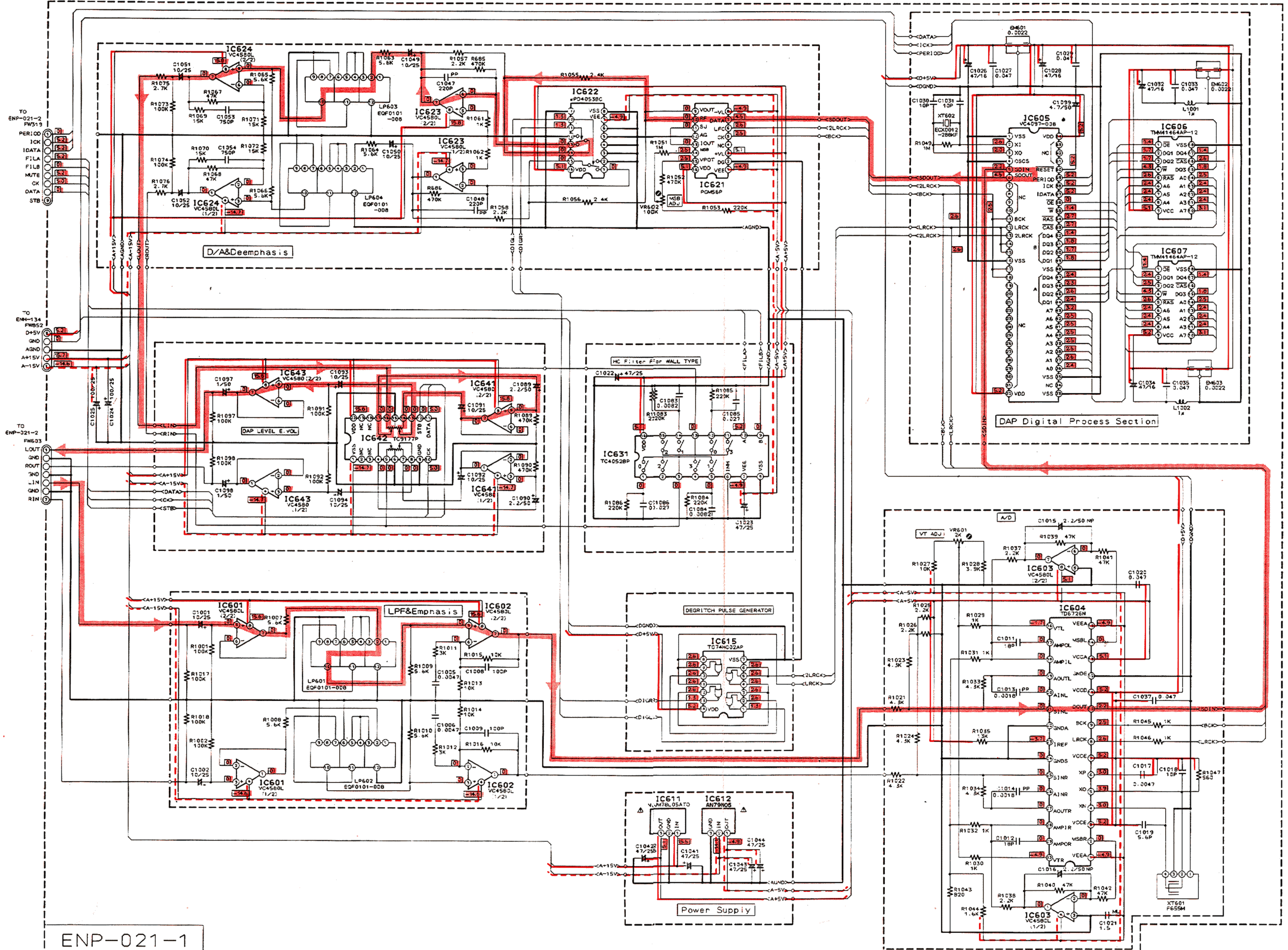
Surround Section



ENP-021-2

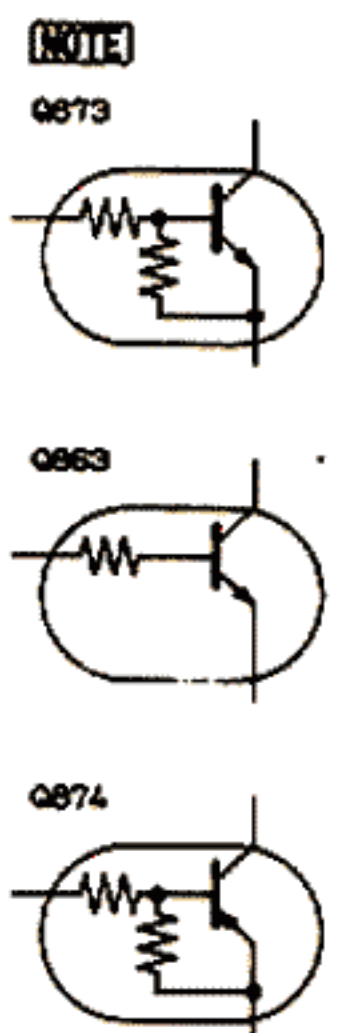
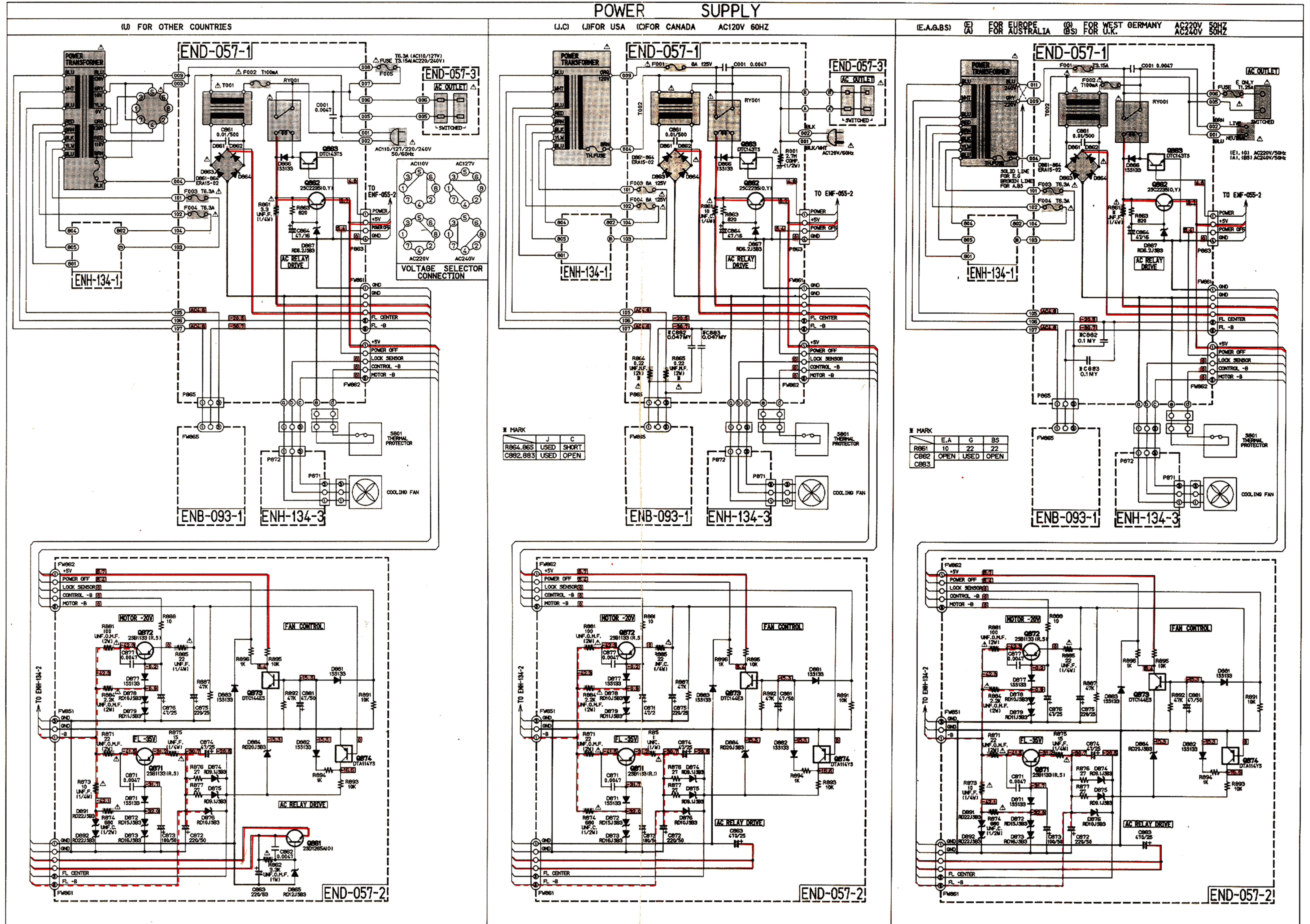
Schematic Diagrams (7)

■ DAP Section



Schematic Diagrams (8)

Power Supply Section



■ Video Signal PC Board (ENC-068)

